

GRV Multi Purpose Single Roll Roboto

Different than other single roll tools, GRV can flex in 2 directions.

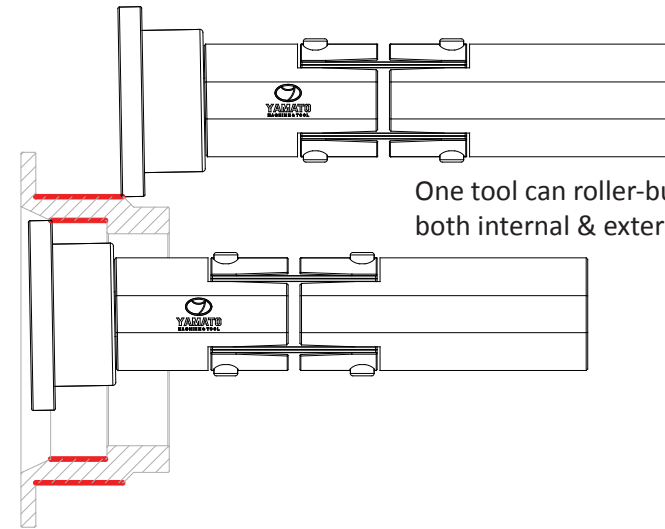
- * One tool can roller-burnish both internal & external diameters at a single setup
- * One tool can roller-burnish both internal & external faces at a single setup
- * Grooves on faces or diameters can be roller-burnished

JUST IMAGINE

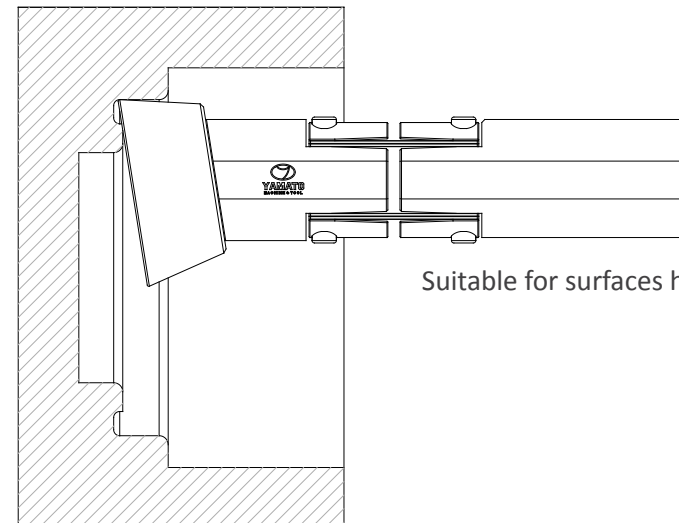
INTERNAL GROOVE APPLICATION



MANY SMALL HOLES CAN BE BURNISHED WITH SINGLE TOOL



One tool can roller-burnish both internal & external diameters at a single setup



Suitable for surfaces hard to reach.